

# LightIR 20-275mm f/5.5, Motorized Continuous Zoom 680314



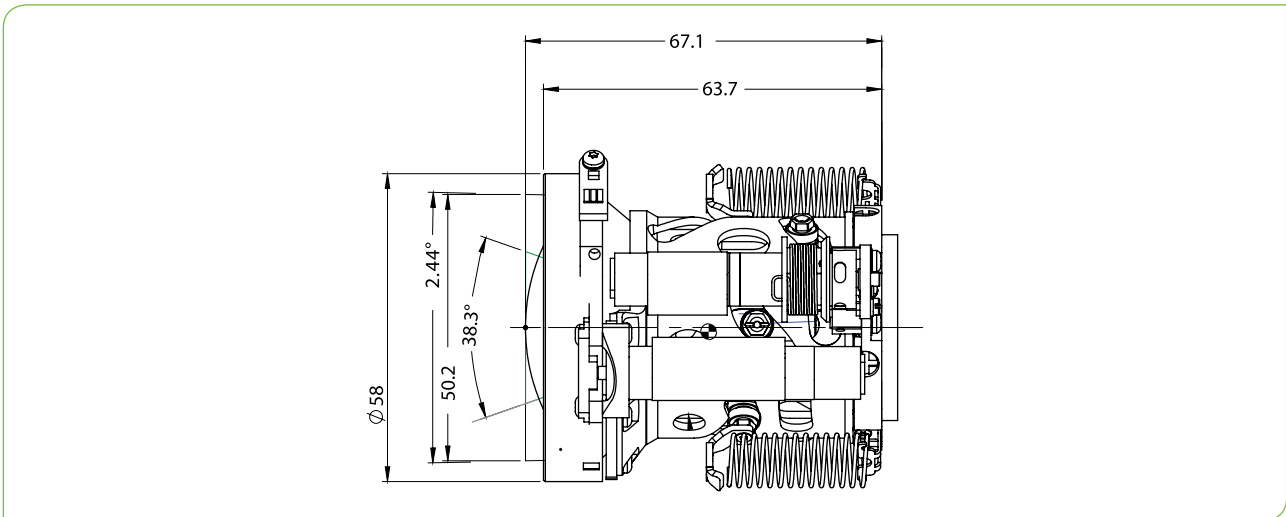
## WFOV(20mm)

HFOV	640x512
15μ	28.0°

## NFOV(275mm)

HFOV	640x512
15μ	1.9°

Property	Value	
<b>Optical</b>	<b>WFOV</b>	<b>NFOV</b>
Focal Length	20mm	275mm
F/#	5.5	
Cold Stop to FPA Distance	19.7mm	
Cold Stop CA	Ø3.52mm	
Average Transmission (3.4-5μm)	≥92 (HD) / 87% (LRHC)	
Back Focal Length	23.52mm in air	
Minimum Focus Range	5m	50m
Nuc (by defocus)	Yes	
<b>Mechanical</b>		
Focus Mechanism	Motorized	
Focus Time (minimum range to ∞)	≤8 sec.	
Zoom Mechanism	Motorized	
Zoom Time (NFOV to WFOV)	≤5 sec.	
Through-zoom boresight	Within a radius of 0.15mm at the focal plane	
Weight	264gr	
Max. Dimensions	Ø58mm x 67.1mm	



MWIR | ZOOM

Property	Value
<b>Electrical</b>	
Lens Control	Designated lens controller
Supply Voltage	12V
Current Consumption	0.2A average, 1.0A peak
Communication Protocol	RS485, RS422
<b>Environmental</b>	
Operating Temperature	-35°C to + 65°C
Storage Temperature	-40°C to + 80 °C
Sealing	IP 67 front element only
<b>Configurations</b>	
680314-001	High Durability
680314-002	Low Reflection Hard Carbon**
680314-003	HD with folded control card

\* NOTE: The ICD drawing provided here is primarily a representation and may not accurately reflect the product's actual dimensions and specifications. For precise integration specifications contact your local sales representative.

\*\* For detailed LRHC coating specifications see page 13